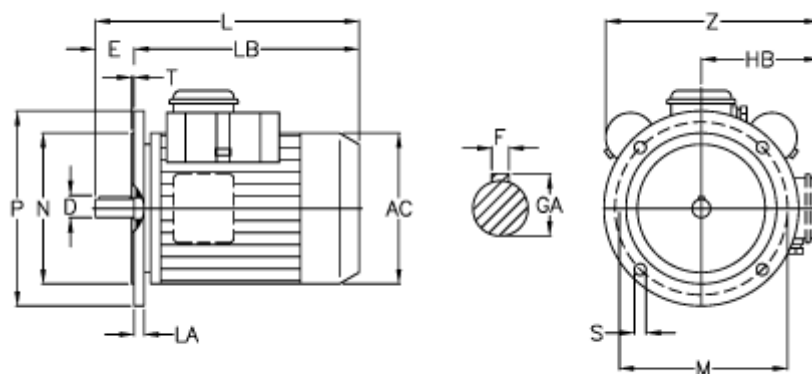


Article number: 25075464002

Description: ICME Single-phase motor MD80 BL4 0,75KW
4 - 1400 rpm 1x230 Volt 50Hz B5 with starting & running capacitor

Measures



| | |
|-----------|----------|
| AC = 156 | LB = 265 |
| D = 19 | M = 165 |
| E = 40 | N = 130 |
| F = 6 | P = 200 |
| GA = 21.5 | S = 11.5 |
| HB = 122 | T = 3.5 |
| L = 305 | Z = 230 |
| LA = 12.0 | |